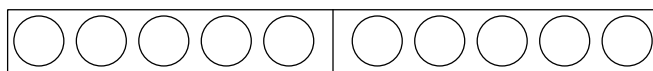
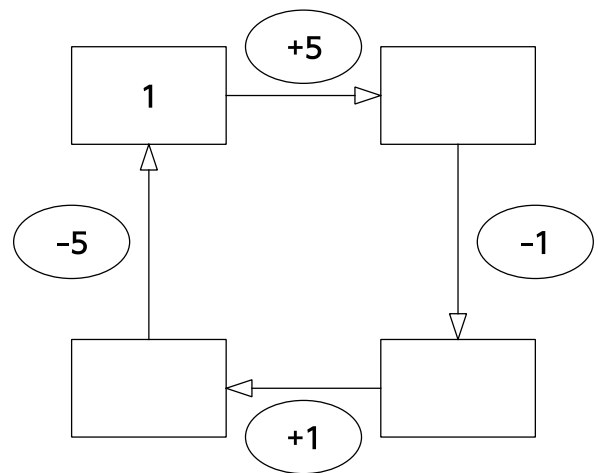
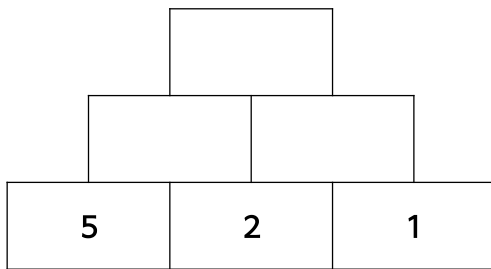
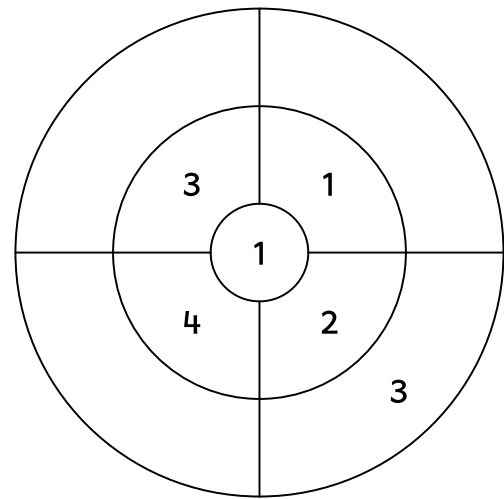
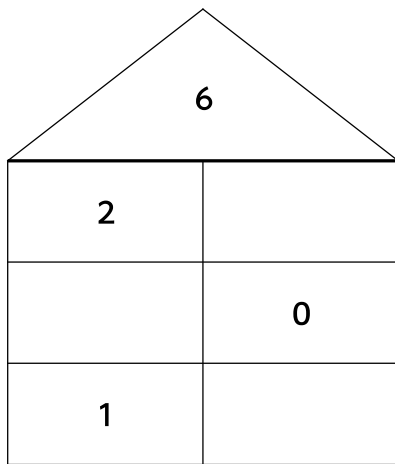


Mathematik 1.Klasse



$8 - 3 = \underline{\quad}$	$4 - 2 = \underline{\quad}$	$4 - 4 = \underline{\quad}$	$10 - 6 = \underline{\quad}$
$9 - 9 = \underline{\quad}$	$7 - 4 = \underline{\quad}$	$5 - 4 = \underline{\quad}$	$2 - 2 = \underline{\quad}$
$2 - 1 = \underline{\quad}$	$2 - 2 = \underline{\quad}$	$8 - 3 = \underline{\quad}$	$3 - 2 = \underline{\quad}$
$4 - 3 = \underline{\quad}$	$3 - 3 = \underline{\quad}$	$7 - 1 = \underline{\quad}$	$10 - 9 = \underline{\quad}$



$$10 - 6 = \underline{\quad}$$



$$8 - 8 = \underline{\quad}$$

