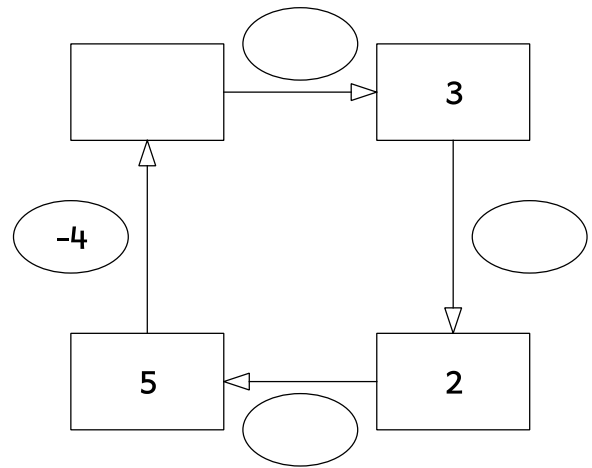
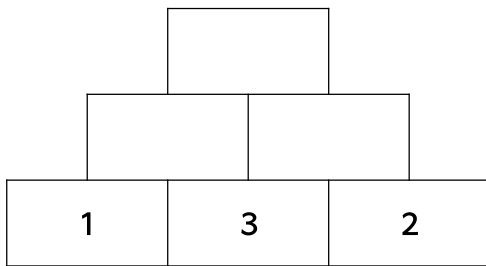
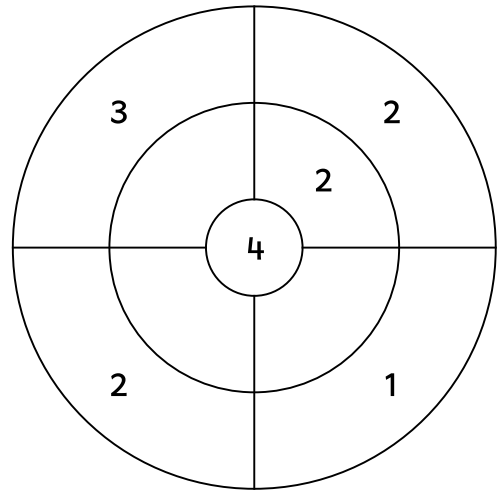
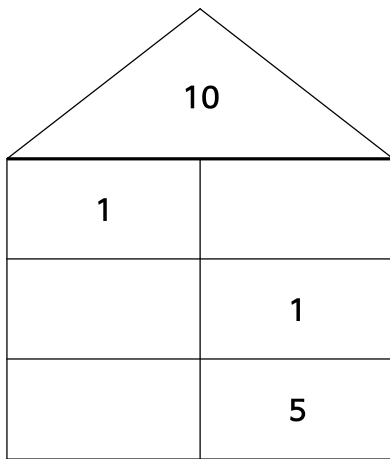


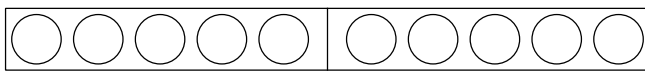
# Mathematik 1.Klasse



$7 + 2 = \underline{\quad}$	$8 + 2 = \underline{\quad}$	$8 + 1 = \underline{\quad}$	$5 + 1 = \underline{\quad}$
$1 + 8 = \underline{\quad}$	$7 + 3 = \underline{\quad}$	$4 + 6 = \underline{\quad}$	$5 + 4 = \underline{\quad}$
$7 + 3 = \underline{\quad}$	$6 + 4 = \underline{\quad}$	$8 + 2 = \underline{\quad}$	$6 + 1 = \underline{\quad}$
$6 + 1 = \underline{\quad}$	$3 + 3 = \underline{\quad}$	$7 + 2 = \underline{\quad}$	$8 + 2 = \underline{\quad}$



$$6 + 4 = \underline{\quad}$$



$$1 + 6 = \underline{\quad}$$

